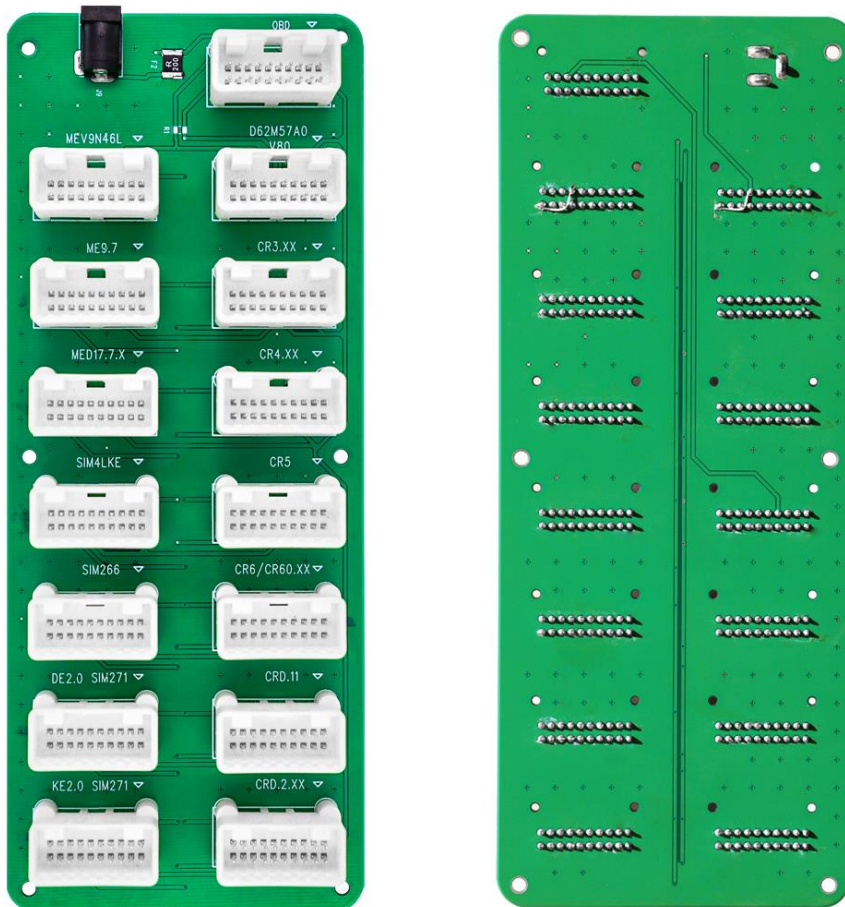


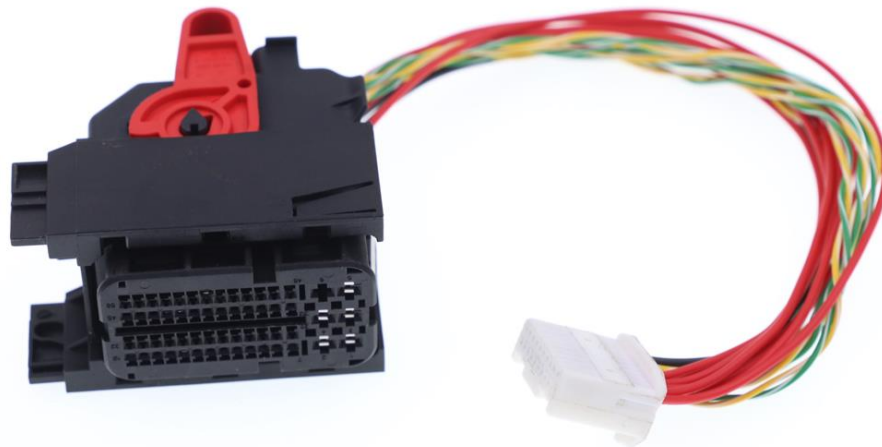
# CG-ECU simulator manual before use

## 1、 Structure and composition

### (1) Motherboard



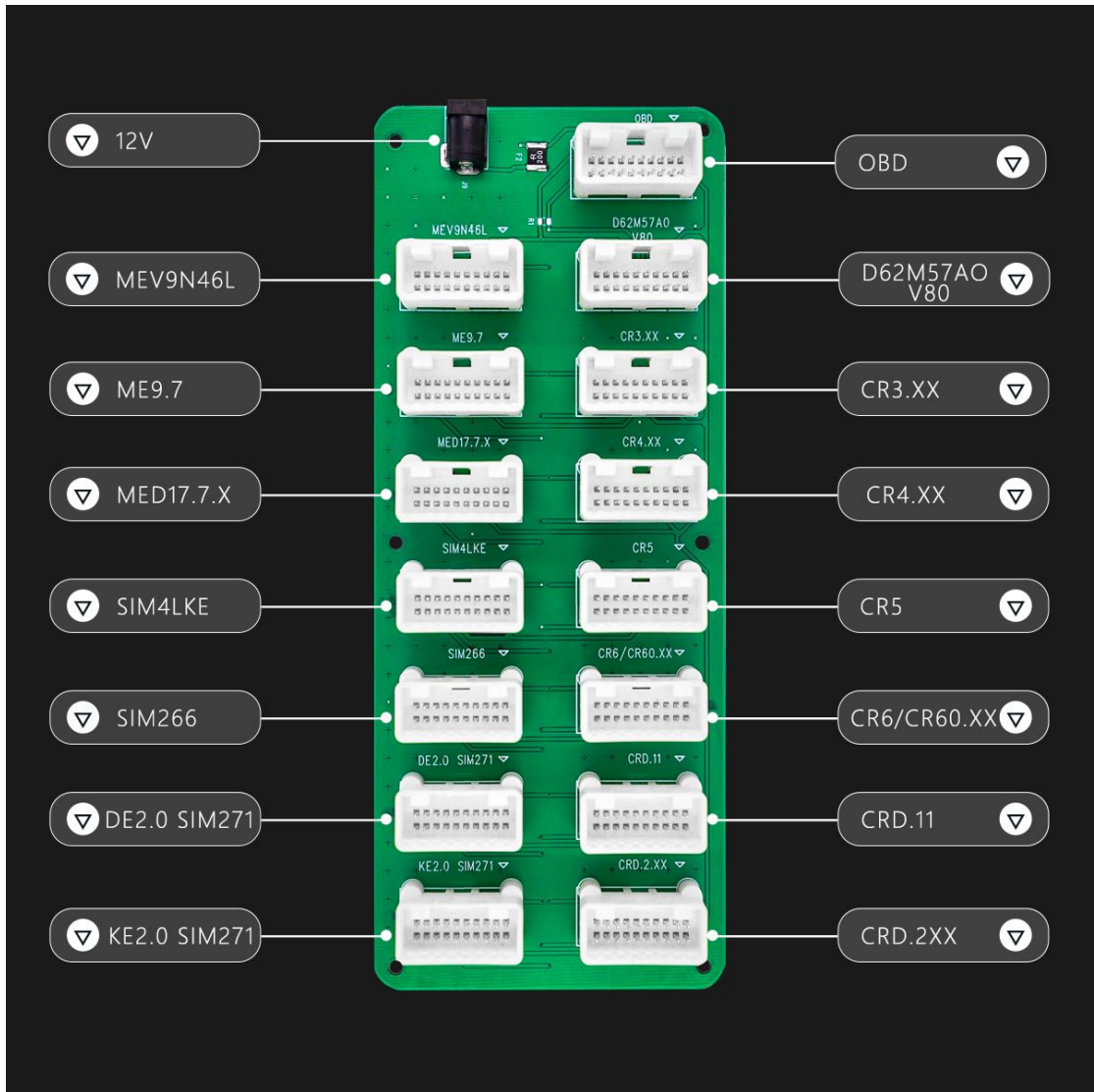
### (2) ECU connector

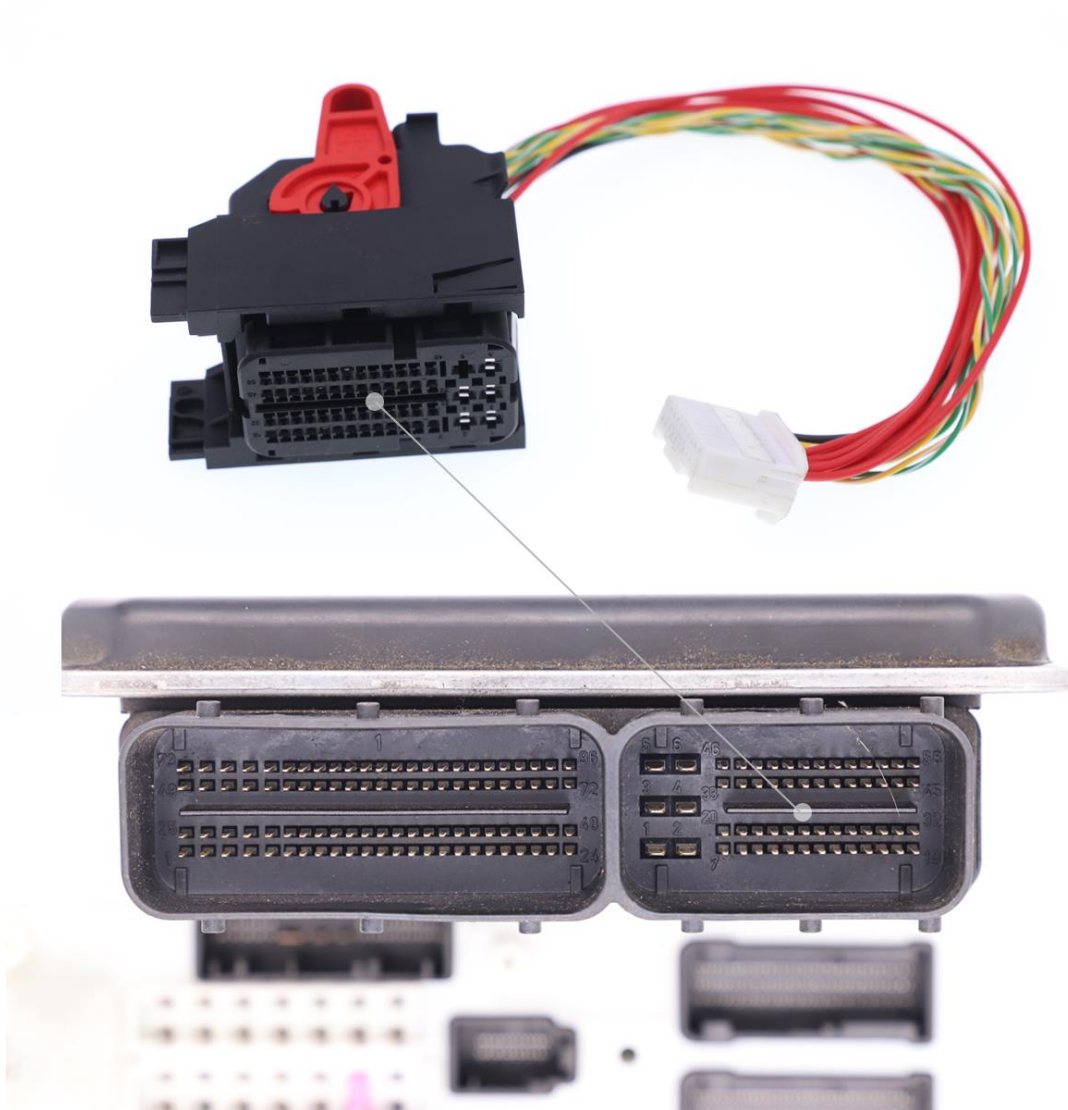


## 2、 Function introduction

- (1) ECU test
- (2) ECU programming
- (3) ECU clear
- (4) ECU refurbishment
- (5) ECU replacement

## 3、 Interface Description





#### 4、 Instructions

- (1) OBD connection equipment
- (2) Connect to 12V power supply
- (3) The model port is connected to the corresponding ECU module
- (4) Push the palm of the plug, pull it back and push it back

#### 5、 Support DME-DDE models

MEV9N46(N46)

ME9.7 (272)

MED17.7.X

SIM4LKE

SIM266

DE2.0 SIM271

KE2.0 SIM271

D62M57 (MSV80,MSD80)

CR3.XX

CR4.XX

CR5

CR6/CR60.XX

CRD.11

CRD.2XX

6、 Physical connection example

